

# New Nordic

## 6100811 BOILER APRON (Ordernumber: 6100811-0721)

Functional boiler apron inspired by traditional Nordic workwear and designed for the chefs and waiters of today. The apron has contrast details with denim, adjustable neck strap and can be tied at front or back depending what look you want. At front is a service strap, for handy placement of hand towels when working in dining area and in kitchen. Two kangaroo pockets with 3D effect for extra volume will hold all needed devices when serving and helping customers.

### COLOURS:



0301-Brown/  
Denim

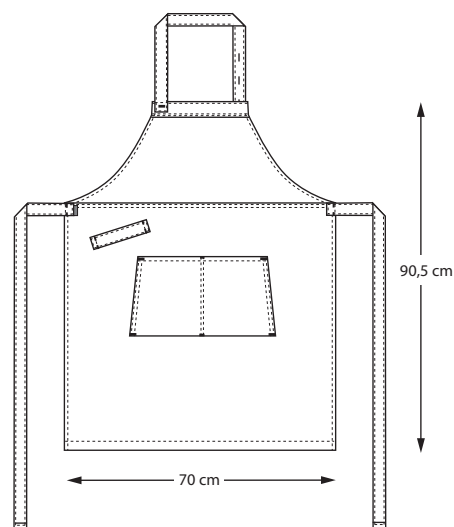
0300-Brown

0302-Khaki/  
Denim

0303-Khaki

0721-Black/  
Denim

0724-Black



### FACTS:

- Neck strap with adjustable length
- Tighten with straps at hip
- Service strap for towel
- Two Kangaroo pockets with 3D effect
- One size

**QUALITY:** 67/33% polyester/cotton - 325 g/m<sup>2</sup>

**STOCK SIZES:** ONE - SIZE: L:90,5 x W:70 cm

**CERTIFICERING & OUR ICONS:**



STANDARD  
100  
2076-306  
DTI

www.oeko-tex.com



STeP

www.oeko-tex.com



MADE IN  
GREEN  
CB3VTM7MX  
DTI

www.oeko-tex.com



### FINISHED MEASURES BEFORE WASHING:

One - Size



Please note: Final measures will depend on tolerance in garment making (See above) and measuring method (+/- 0.5 cm)  
Also note: Washing and drying conditions in industrial laundering can further more give a shrinkage up to 3-5% (Depending of material)  
All models meet the requirements industrial laundry. Washing instructions on our homepage [www.nybo.com](http://www.nybo.com)

### DOMESTIC LAUNDERING:



PURVEYOR TO H. M. THE QUEEN OF DENMARK

**NYBO**

WORKWEAR SINCE 1962